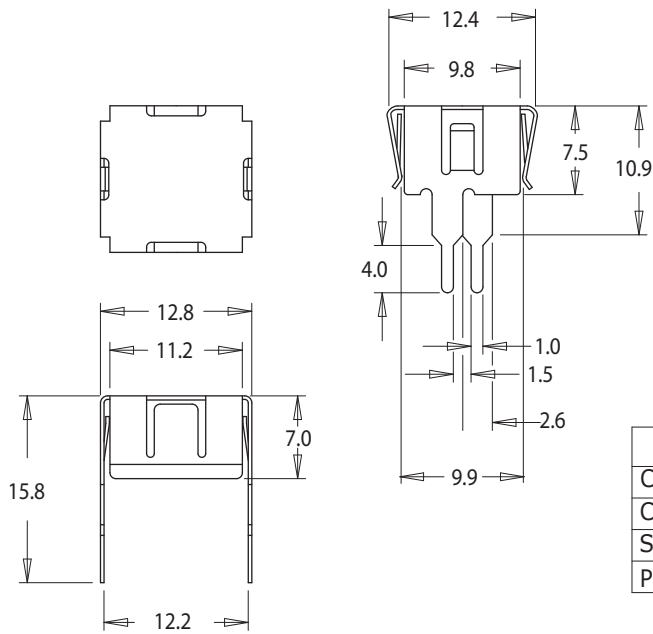
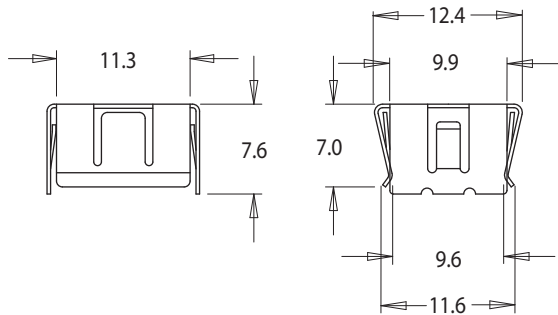
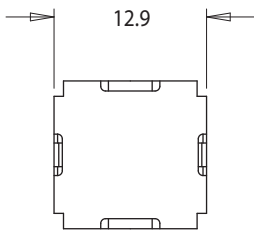


# EP10



Mounting clip with earth pin	
Clip material	Steel
Clip plating	Tin (Sn)
Solderability	IEC 60 068-2 20, Part 2, Test Ta, method 1
Part No.	EP10CLIPM-00



Mounting clip without earth pin	
Clip material	Steel
Part No.	EP10CLIPM-02

Dimensions in millimeters

DT037 Iss. 4

